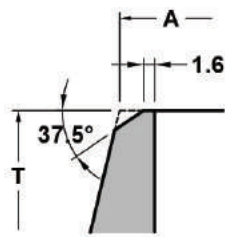


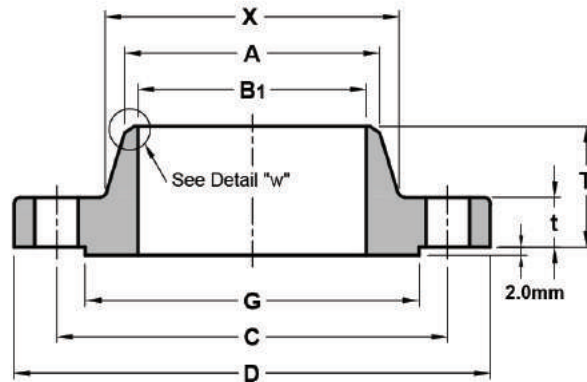


ANSI_ASME B16.47 B
(API 605)

CLASS 75 FLANGES



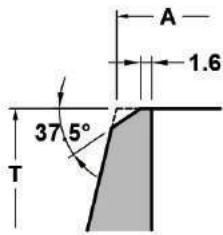
Detail "w"
Typical Welding
end Prepration



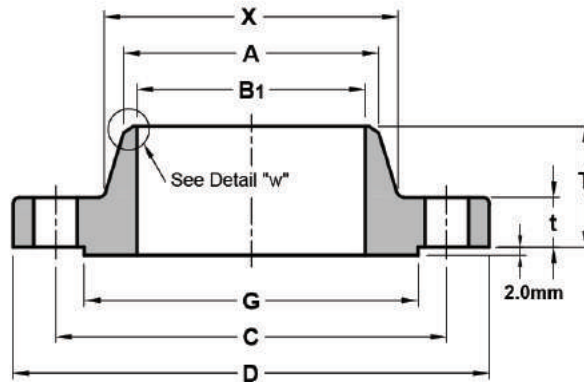
Unit : mm

Nominal Pipe Size	O.D of Flange	O.D of Raised Face	Diam. Of Hub	Diam. of Hub at Bevel	Diam. Of Bore	Length Through Hub	Thickness		Radius of Fillet	Drilling			Approximate Weight(Kg)	
							Welding Neck	Blind		Bolt Circle Diam.	Number of Holes	Diam. Of Holes	Welding Neck	Blind
							t	t		C				
D	G	X	A	B1	T	t	t	r	C					
26	760	705	676	661.9	To be Specified by Purchaser	57	31.9	31.9	8	723.9	36	19.1	29	110.9
28	815	756	727	712.7		60	31.9	31.9	8	774.7	40	19.1	31	131.5
30	965	806	778	763.5		64	31.9	31.9	8	825.5	44	19.1	35.1	149.7
32	915	857	829	814.3		68	33.5	35	8	876.3	48	19.1	48	176.9
34	965	908	879	865.1		72	33.5	36.6	8	927.1	52	19.1	50	195
36	1035	965	935	915.9		84	35	40.9	10	992.2	40	22.2	62.1	235
38	1085	1016	986	966.7		87	36.6	43	10	1043	40	22.2	70.1	269.9
40	1135	1067	1037	1017.5		91	36.6	43	10	1093.8	44	22.2	74.1	344.7
42	1185	1118	1087	1068.3		94	38.2	46.3	10	1144.6	48	22.2	77.1	406
44	1250	1175	1140	1119.1		103	41.4	47.7	10	1203.3	36	25.4	82.1	483.1
46	1300	1226	1191	1169.9		106	43	49.3	10	1254.1	40	25.4	105	537.5
48	1355	1276	1241	1220.7		110	44.6	52.5	10	1304.9	44	25.4	120	596.5
50	1405	1327	1294	1271.5		114	46.2	54.1	10	1355.7	44	25.4	134.3	682.7
52	1455	1378	1345	1322.3		119	46.2	55.7	10	1409.7	48	25.4	142.2	755.2
54	1510	1429	1397	1373.1		124	47.8	58.9	10	1460.5	48	25.4	180.2	834.6
56	1575	1486	1451	1423.9		133	49.3	60.4	11	1520.8	40	28.6	184.6	957.1
58	1625	1537	1502	1474.7		137	50.9	62	11	1571.6	44	28.6	195.6	1043.3
60	1675	1588	1553	1525.5		143	54.1	65.2	11	1622.4	44	28.6	210.2	1134

CLASS 150 FLANGES



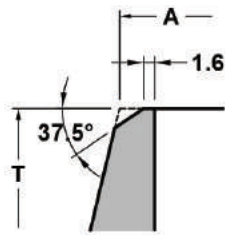
Detail "w"
Typical Welding
end Prepration



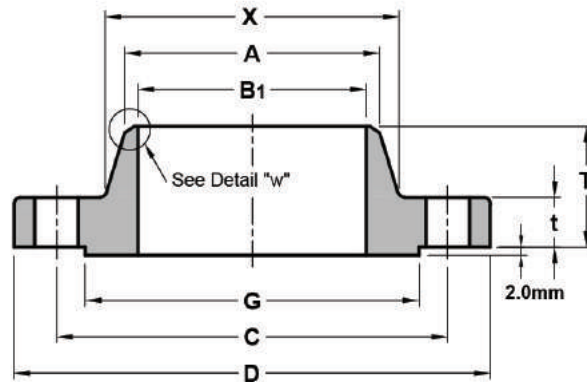
Unit : mm

Nominal Pipe Size	O.D of Flange	O.D of Raised Face	Diam. Of Hub	Diam. of Hub at Bevel	Diam. Of Bore	Length Through Hub	Thickness		Radius of Fillet	Drilling			Approximate Weight(Kg)	
							Welding Neck	Blind		Bolt Circle Diam.	Number of Holes	Diam. Of Holes	Welding Neck	Blind
	D	G	X	A	B1	T	t	t	r	C				
26	785	711	684	6619	To be Specified by Purchaser	87	39.8	43	10	744.5	36	22.2	54.4	169.2
28	835	762	735	712.7		94	43	46.2	10	795.3	40	22.2	63.5	205.9
30	885	813	787	763.5		98	43	49.3	10	846.1	44	22.2	68	246.3
32	940	864	840	814.3		106	44.6	52.5	10	900.1	48	22.2	77.1	293.9
34	1005	921	892	865.1		109	47.7	55.7	10	957.3	40	25.4	95.3	355.2
36	1055	972	945	915.9		116	50.9	57.3	10	1009.6	44	25.4	108.9	403.7
38	1125	1022	997	968.2		122	52.5	62	10	1070	40	28.6	131.5	494
40	1175	1080	1049	1019		127	54.1	65.2	10	1120.8	44	28.6	140.6	565.6
42	1225	1130	1102	1069.8		132	57.3	66.8	11	1171.6	48	28.6	156.5	631.9
44	1275	1181	1153	1120.6		135	58.9	70	11	1222.4	52	28.6	168.8	716.2
46	1340	1235	1205	1171.4		143	60.4	73.1	11	1284.3	40	31.8	197.3	827.4
48	1390	1289	1257	1222.2		148	63.6	76.3	11	1335.1	44	31.8	217.7	927.6
50	1445	1340	1308	1273		152	66.8	79.5	11	1385.9	48	31.8	235.9	1036
52	1495	1391	1360	1323.8		156	68.4	82.7	11	1436.7	52	31.8	249.5	1155.3
54	1550	1441	1413	1374.6		160	70	85.8	11	1492.2	56	31.8	281.2	1291.9
56	1600	1492	1465	1425.4		165	71.6	89	14	1543	60	31.8	294.8	1426.1
58	1675	1543	1516	1476.2		173	73.1	91.9	14	1611.3	48	34.9	353.8	1614.8
60	1725	1600	1570	1527		178	74.7	95.4	14	1662.1	52	34.9	385.6	1774.9

CLASS 300 FLANGES



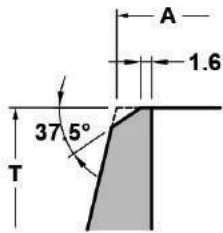
Detail "w"
Typical Welding
end Prepration



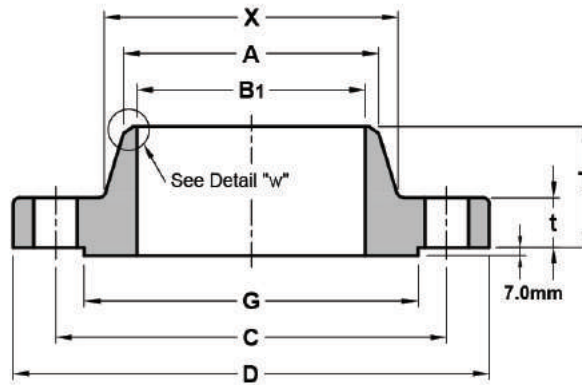
Unit : mm

Nominal Pipe Size	O.D of Flange	O.D of Raised Face	Diam. Of Hub	Diam. of Hub at Bevel	Diam. Of Bore	Length Through Hub	Thickness		Radius of Fillet	Drilling		Approximate Weight(Kg)		
							Welding Neck	Blind		Bolt Circle Diam.	Number of Holes	Diam. Of Holes	Welding Neck	Blind
							t	t		C				
26	865	737	702	665.2	To be Specified by Purchaser	143	87.4	87.4	14	803.3	32	34.9	200.2	411.4
28	920	787	756	716		148	87.4	87.4	14	857.2	36	34.9	210.2	464
30	990	845	813	768.4		156	92.1	92.1	14	920.8	36	38.1	270.2	566.5
32	1055	902	864	819.2		167	101.6	101.6	16	977.9	32	41.3	330.3	705.8
34	1110	953	918	870		171	101.6	101.6	16	1031.9	36	41.3	360.3	779.7
36	1170	1010	965	920.8		179	101.6	101.6	16	1089	32	44.5	410.4	871.4
38	1220	1060	1016	971.6		191	109.6	109.6	16	1139.8	36	44.5	570.5	1023.8
40	1275	1114	1067	1022.4		197	114.3	114.3	16	1190.6	40	44.5	660.6	1156.2
42	1335	1168	1118	1074.7		203	117.5	117.5	16	1244.6	36	47.6	720.6	1304.6
44	1385	1219	1173	1125.5		213	125.5	125.5	16	1295.4	40	47.6	800.7	1498.7
46	1460	1270	1229	1176.3		221	127	128.6	16	1365.2	36	50.8	970.9	1708.3
48	1510	1327	1278	1127.1		222	127	133.4	16	1416	40	50.8	990.9	1897.4
50	1560	1378	1330	1277.9		233	136.6	138.2	16	1466.8	44	50.8	1047.9	2099.7
52	1615	1429	1383	1328.7		241	141.3	142.6	16	1517.6	48	50.8	1113.8	2311.5
54	1675	1480	1435	1379.5		238	135	147.7	16	1578	48	50.8	1161	2575.5
56	1765	1537	1494	1430.3		267	152.4	155.4	17	1651	36	60.3	1336.1	3012.8
58	1825	1594	1548	1481.1		273	152.4	160.4	17	1712.9	40	60.3	1427.6	3332.6
60	1880	1651	1599	1557.3		270	149.3	165.1	17	1763.7	40	60.3	1451.3	3619.7

CLASS 600 FLANGES



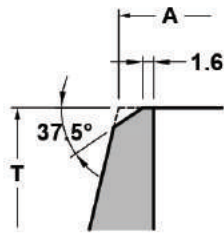
Detail "w"
Typical Welding
end Preperation



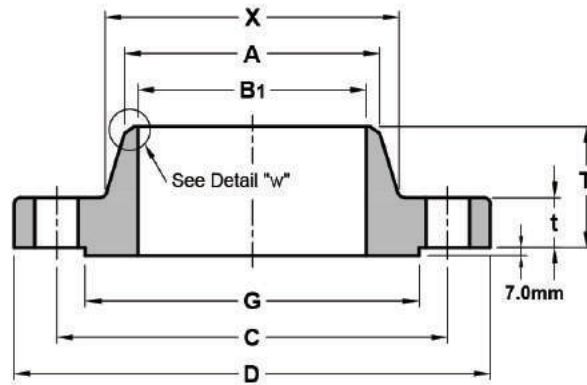
Unit : mm

Nominal Pipe Size	O.D of Flange	O.D of Raised Face	Diam. Of Hub	Diam. of Hub at Bevel	Diam. Of Bore	Length Through Hub	Thickness		Radius of Fillet	Drilling		Approximate Weight(Kg)		
							Welding Neck	Blind		Bolt Circle Diam.	Number of Holes	Diam. Of Holes	Welding Neck	Blind
	D	G	X	A	B1	T	t	t	r	C				
26	890	727	698	660.4	To be Specified by Purchaser	181	111.2	111.3	13	806.4	28	44.5	249.5	541.6
28	950	784	752	711.2		190	115.9	115.9	13	863.6	28	47.6	294.8	647.3
30	1020	841	806	762		205	125.5	127	13	927.1	28	50.8	367.4	817.4
32	1085	895	860	812.8		216	130.2	134.9	13	984.2	28	54	430.9	979.3
34	1160	953	914	863.6		233	141.3	144.2	14	1054.1	24	60.3	546.6	1199.8
36	1215	1010	968	914.4		243	146.1	150.9	14	1104.9	28	60.3	607.8	1166.7

CLASS 900 FLANGES



Detail "w"
Typical Welding
end Prepration



Unit : mm

Nominal Pipe Size	O.D of Flange	O.D of Raised Face	Diam. Of Hub	Diam. of Hub at Bevel	Diam. Of Bore	Length Through Hub	Thickness		Radius of Fillet	Drilling		Approximate Weight(Kg)		
							Welding Neck	Blind		Bolt Circle Diam.	Number of Holes	Welding Neck	Blind	
							t	t		C				
26	1020	762	743	660.4	To be Specified by Purchaser	259	135	154	11	901.7	20	66.7	476.3	990.7
28	1105	819	797	711.2		276	147.7	166.7	13	971.6	20	73	689.5	1252.8
30	1180	876	851	762		289	155.6	176.1	13	1035	20	79.4	825.6	1512.3
32	1240	927	908	812.8		303	160.4	186	13	1092.2	20	79.4	936.7	1753.2
34	1315	991	962	863.6		319	171.5	195	14	1155.7	20	85.7	1111.3	2075.7
36	1345	1029	1016	914.4		325	173.1	201.7	14	1200.2	24	79.4	1143.1	2251.2